

Piston pumps (grease)

Series FK...-EP - electric drive



FKGM-EP with nom motor (400 V AC / 3~)

Technical data

Pump

Delivery volume per stroke (= 1 pump revolution) and outlet: 0,06 to 0,17 cm³
(depends on pump element)
Regulation: possible for PE 120 V
Reservoir content, material: 2 / 4 kg steel
1,9 / 2,5 / 4,2 / 8 kg plastic transparent
Operating pressure: max. 350 bar
Pressure limiting valve adjusted to: max. 280 bar
Delivering medium: greases up to NLGI-cl. 2
(grease with solid contents only on demand)
Operating temperature: -20 to 70 °C
No. of outlets: max. 8
Outlet type: see order key
Rotation direction of agitator blade: counter-clockwise
Installation position: reservoir vertical, as shown
Weight: max. 10,7 kg incl. transparent reservoir
max. 12,2 kg incl. steel reservoir
(without pump elements, without grease filling)

Motor

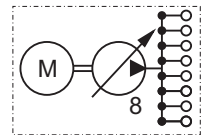
Drive: d.c. motor
Power: 0,25 kW
Operating voltage: 200-240/346-420 V AC/3~, 50 Hz
220-280/380-480 V AC/3~, 60 Hz
special voltages are possible
Nominal current: 1,5 / 0,75 A
1,25 / 0,6 A
Speed: 1500 / 1800 r/min
Design: B 3 / B 14
ISO-class: F
Protection type: IP 54



Symbol

Pump speed

is dependent on the reduction
= motor speed : reduction of the pump
e. g.: 1500 r/min : 150 = 10 r/min



Pump elements (see documentation pump elements)		Metering volume cm ³ / stroke and outlet
PE 60	with / without	0,06
PE 120	Pressure	0,12
PE 170	limitation	0,17
PE 120 V	valve	max. 0,12 (adjustable)

Order key for type 2014

2014 3 2 23 D2 000

Type-no.	2014							
Code	2014							
Reduction	(80:1)*	150:1	300:1	400:1	600:1	1200:1		
Code	1	2	3	4	5	6		
Pump elements ***	PE 120	PE 120 w. DBV**	PE 120 V	PE 120 V w. DBV**	without			
Code	0	1	2	4	9			
Pressure connections	No. of outlets							
Outlet type	1	2	3	4	5	6	7	8
Tube Ø 6 mm	01	02	03	04	05	06	07	08
Tube Ø 8 mm	11	12	13	14	15	16	17	18
Tube Ø 10 mm	21	22	23	24	25	26	27	28
Thread G 1/4	91	92	93	94	95	96	97	98
Thread M20x1,5 (at model "without" pump element)	-	-	-	-	-	-	-	88
Reservoir cont.(kg) transparent	1,9	2,5	4,2	8 (2-part)	8 (1-part)	Steel	2	4
without FÜ****	09	01	04	05	07		06	02
with FÜ****, M12x1 standard	-	D1	D2	-	D3		C1	C2
with FÜ****, cube plug	-	F1	F2	-	F3		16	12
without FÜ****	-	21	41	42	61			
with FÜ****, M12x1 standard	-	E1	E2	-	E3			
with FÜ****, cube plug	-	G1	G2	-	G3			

Special model

* Special model after consultation; ** m. DBV = with pressure limitation valve; *** Please indicate pump elements PE 60, PE 170 separately; see documentation pump elements; **** FÜ = level monitoring (min.) = level monitoring

© BEKA 2013 All rights reserved! (min.); ED = Filling cover; **** Cube plug acc. to. DIN 43650

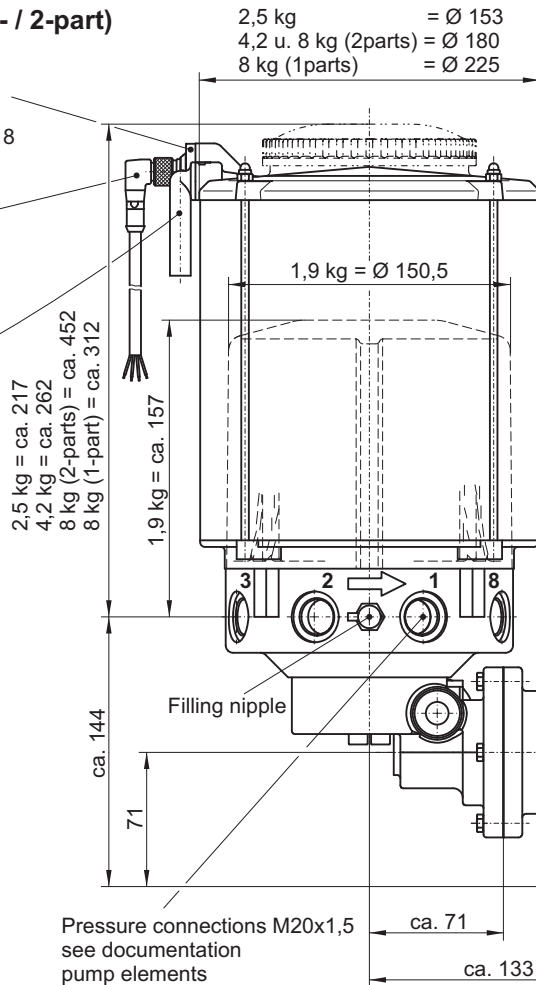
Subject to alterations!

Plastic reservoir transparent 1,9 / 2,5 / 4,2 / 8 kg (1- / 2-part)

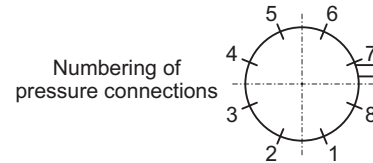
min. level monitoring
(10 - 60 V DC standard)
acc. to drawing FAZ02205-18

Bush M12x1
with 5 m cable (standard)
enclosed in delivery
Order-no.: 1000912997

Ventilation

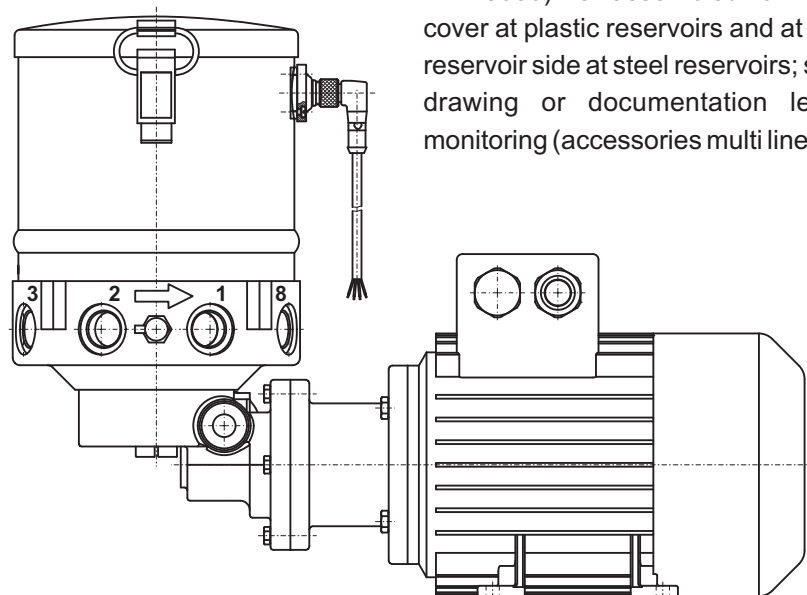
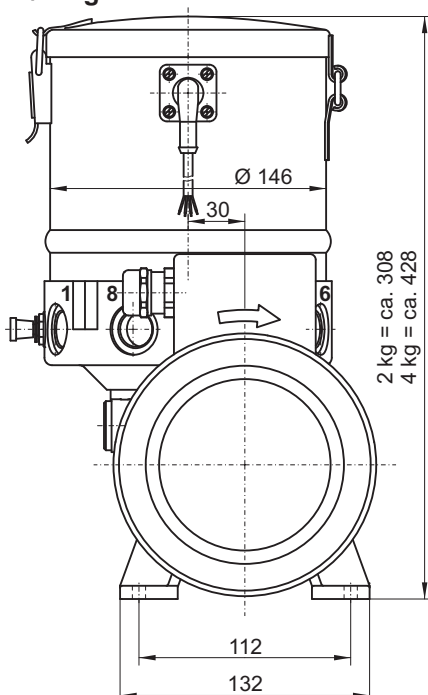


The pump elements are mounted one by one, starting with position 1 (see numbering of pressure connections). Please indicate the combination of the different pump elements or certain installation positions of the pump elements separately.



EDV02014-000

Steel reservoir 2 / 4 kg



Attention: The min. level monitoring (M12x1 or cubic plug acc. to DIN43650) is assembled on the cover at plastic reservoirs and at the reservoir side at steel reservoirs; see drawing or documentation level monitoring (accessories multi line).

Subject to alterations!

© BEKA 2013 All rights reserved!